



Allway Technologies (Ontario) Inc.

Toronto Office : 200 Cochrane Drive, Unit #8, Markham, Ontario, L3R 8E8.
Tel: 905-477-0888 Fax: 905-477-0890 Toll Free : 1-888-563-9171

Vancouver Toronto <http://www.allway.ca> Email: Torontosales@allway.ca

Catalogue : Tools

* = New Lower Prices



Quality HANLONG tools - made in Taiwan

New Arrival - Terminal Crimping Tool

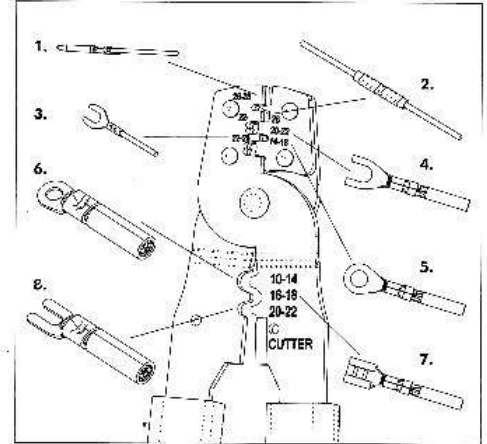
for D-Sub and most popular non-insulated terminals



New item

280342

For D-Sub and most popular non-insulated terminals.



"F" Type Crimping Tools



"F" type Ratchet Crimping Tool RG59, 62, 6 (8.20 & 9.12mm)

280090



For RG59, 6 (0.068, 6.65, 8.23 & 9.14mm)

280076



Ratchet Crimping Tool for RG59, RG6 (6.48, 8.13 & 8.89mm)

280113

"BNC" Type Crimping Tools



Ratchet - for RG58, 59, 62, 6 & centre pin (1.73, 5.41, 6.50 & 8.10mm)

280106

4P4C, 6P6C, 8P8C Crimping Tools



RJ6 4P4C

280120



RJ45 8P8C Modular Crimping Tool

280151



RJ12/45 — 6P6C, 8P8C

280182



RJ12/45 6P6C/8P8C

280212

4P4C/6P6C/8P8C/10P10C Crimping Tool (Ratchet type)



280236

IDC Crimping Tool



285118

Compression Crimping Tools

for RG6 Waterproof connectors



280816



280830

for Waterproof RG6, BNC and "F" type connectors

Cable Tie Fasten Tool



285187



Allway Technologies (Ontario) Inc.

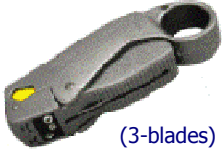
Toronto Office : 200 Cochrane Drive, Unit #8, Markham, Ontario, L3R 8E8.
Tel: 905-477-0888 Fax: 905-477-0890 Toll Free : 1-888-563-9171

Vancouver Toronto <http://www.allway.ca> Email: Torontosales@allway.ca

Catalogue : Tools

* = New Lower Prices

Rotary Coaxial Cable stripping tools RG59/62/6/4C/5C Coaxial Cable



(3-blades)

280137



(2-blades)

280083

Cutters & wire Strippers

0.5 - 4.0mm with Grinding



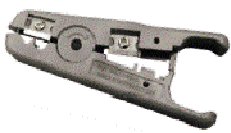
283015

Multi-purpose Cutter and Stripper with lock (24, 22, 20, 18, 16 & 14AWG)



283152

Universal Stripping Tool



For Cat5, Cat 6 cables

280144



Multi-Purpose Screw Driver

283510

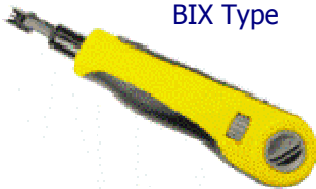
22, 20, 18, 16, 14, 12 & 10AWG
(10 functions in 1)



283213

Metal Punch Down Tools with inter-changeable blades

Metal Impact Punch down tool
BIX Type



280410

with Type 110 Blade



280397

Plastic tool
with wire stripper



280311

Net Toner & I-Tone Probe



With Carrying Bag

280939



Additional blades for Punch Down Tools
Type Bix
280434

Type 110
280403

Type 66
280427

Keystone Jack Punch Down base



287310

Net Toner



- 2 selectable tone outputs
- 2 line polarity indicator
- Continuity test
- Low battery indicator

280946

NetFinder with Line Test

Includes 25 Terminators



281011

- Quickly sort out and clean up a closet full of unidentified cable mess
- Allow a single technician to organize the entire wiring closet in the shortest time possible
- Test LAN, Telecom and Coaxial cables
- Detects voltage on the center pair of 4/5 on RJ45's

Cable Tester — LAN, Coaxial (Pin Scan)



280915

Built-in Tone Generator



280953

I-Tone Probe

Works with Net Toner & Tone Generators



280960



Allway Technologies (Ontario) Inc.

Toronto Office : 200 Cochrane Drive, Unit #8, Markham, Ontario, L3R 8E8.
Tel: 905-477-0888 Fax: 905-477-0890 Toll Free : 1-888-563-9171

Vancouver Toronto <http://www.allway.ca> Email: Torontosales@allway.ca

Catalogue : Tools * = New Lower Prices

**Network & USB cable
Multi-modular Tester**



280922

**Infrared Thermometer
(-50C ~ 280C)**



w/ laser pointer
Incl. 9V Battery

285804

Power Supply Tester



992002

WiFi & Spy Finder



281110

Temperature Sensor—digital display



975019

Pin insertion & Extraction Tool



287013 \$2.30

**5.25" Power Connector Pin Extractor
(AMP 1-480424-0)**



287112

**3.5" Power Connector Pin Extractor
(AMP 171822-4)**



287136

**Main brd Power Connector Pin Extractor
(Molex 39-01-2200, 39-01-2240)**



287150

**P8/P9 Power Connector Pin Extractor
(Molex 90331)**



287174

**1/8" washer for Main Brd
(1,000 pcs /bag)**



971110

Anti-Static CPU & keyb - w/ grounding cord

350113



Anti-Static wrist wrap

350212



Tool Kit (12 pcs)

282117



**Case thumb screws
(20 pcs /bag)**



970069

Nail Cable Clips 100pcs/bag



6mm white 025776

7mm black 025783

8mm black 025820

8mm black double 025837

Tool Kit (54 pcs)

282209



**Heat Shrink Tubings
(5 pcs /bag—1ft length assorted)**

5.0mm x 1ft

3.0mm x 1ft

2.5mm x 1ft

1.2mm x 1ft

1.0mm x 1ft

979819



Prices are subject to change without prior notice. While Quantity lasts. E. and O.E. We are not responsible for any typographical errors. Your company is currently in our existing customers list or referred to us by a business contact. We take the liberty to send you email about promotions, monthly specials, new product information, savings and special buys. We respect your privacy, and if you do not wish to receive further announcement from ALLWAY Technologies Inc, unsubscribe by [clicking here](#). Thank you.

To receive our full product price list, please kindly [click here](#).

Copyright 2009. All rights reserved. ALLWAY Technologies Ontario. 200 Cochrane Drive Unit 8, Markham, Ontario, L3R 8E8